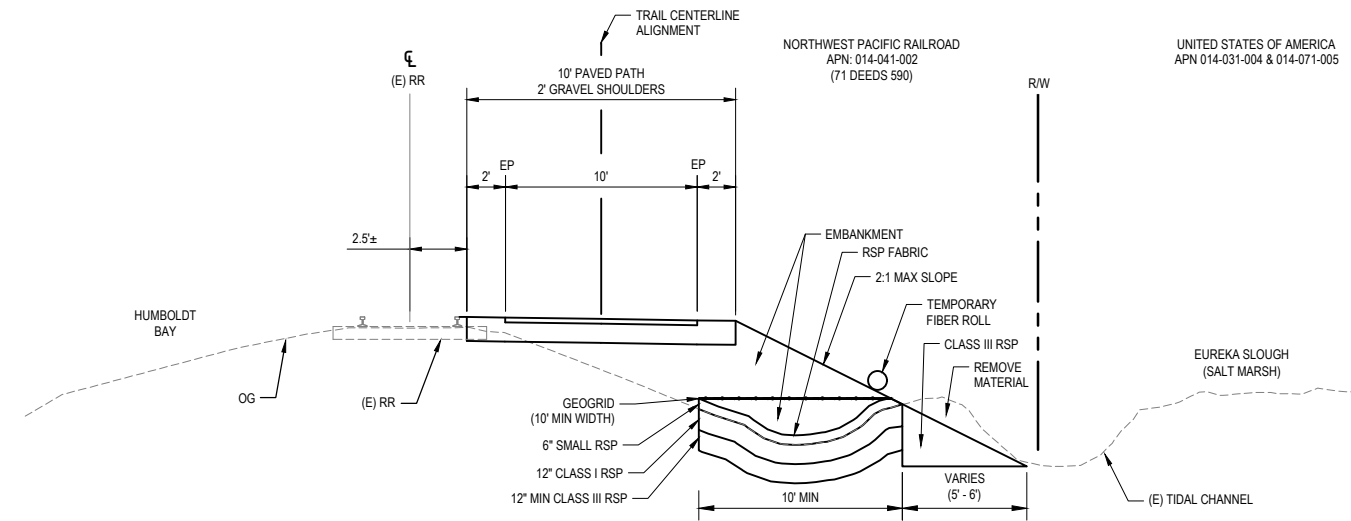
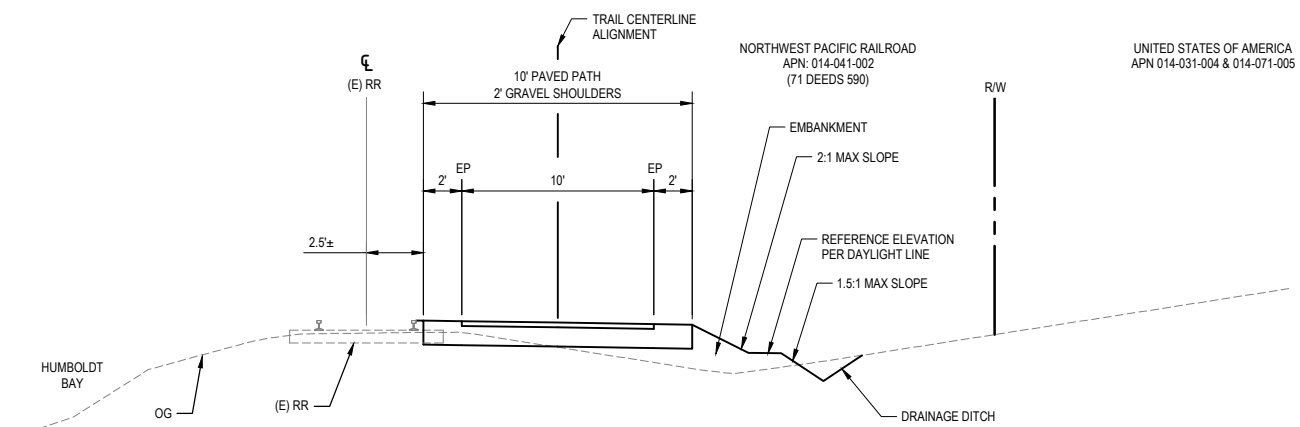


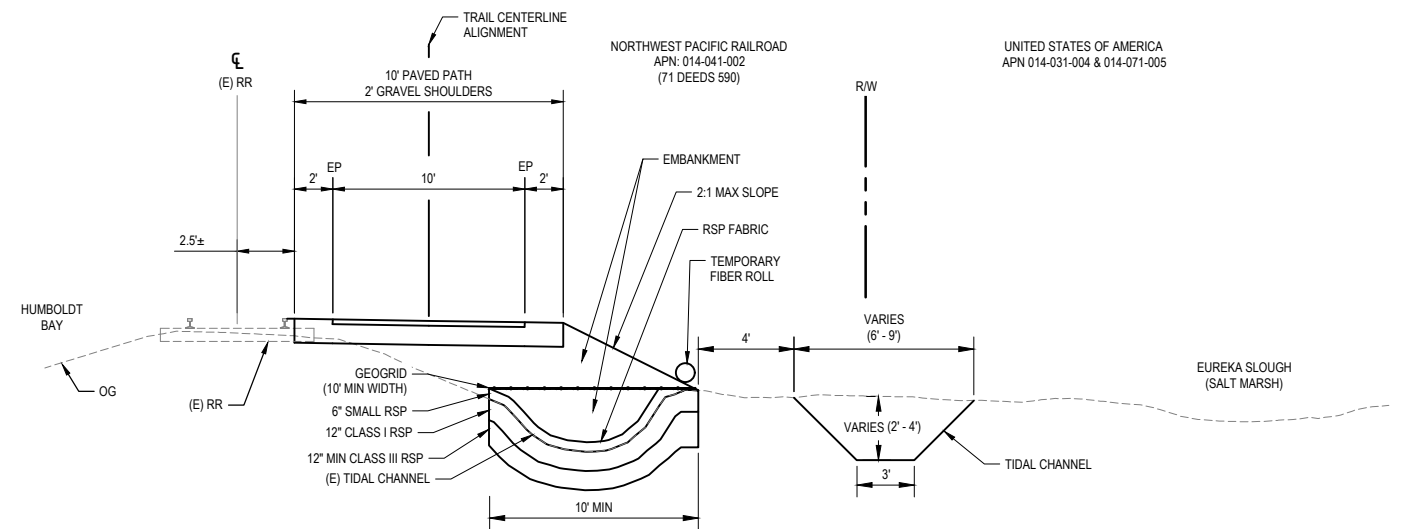
**SEG 3 TYPICAL SECTION : STA 9+06 TO STA 14+40**  
NOT TO SCALE



**SEG 3 TYPICAL SECTION : NO CHANNEL RELOCATION**  
**STA 14+70 TO STA 15+25 AND STA 15+86 TO STA 16+15**  
NOT TO SCALE



**SEG 3 TYPICAL SECTION : STA 23+00 TO STA 27+50**  
NOT TO SCALE



**SEG 3 TYPICAL SECTION : CHANNEL RELOCATION**  
**STA 14+40 TO STA 14+70, STA 15+25 TO STA 15+86, STA 16+16 TO STA 23+00**  
NOT TO SCALE

**NOT FOR  
CONSTRUCTION**



Bar is one inch on original size sheet  
0 1"

Reuse of Documents  
This document and the ideas and designs incorporated herein, as an instrument of professional service, is the property of GHD and shall not be reused in whole or in part for any other project without GHD's written authorization.  
© 2021 GHD

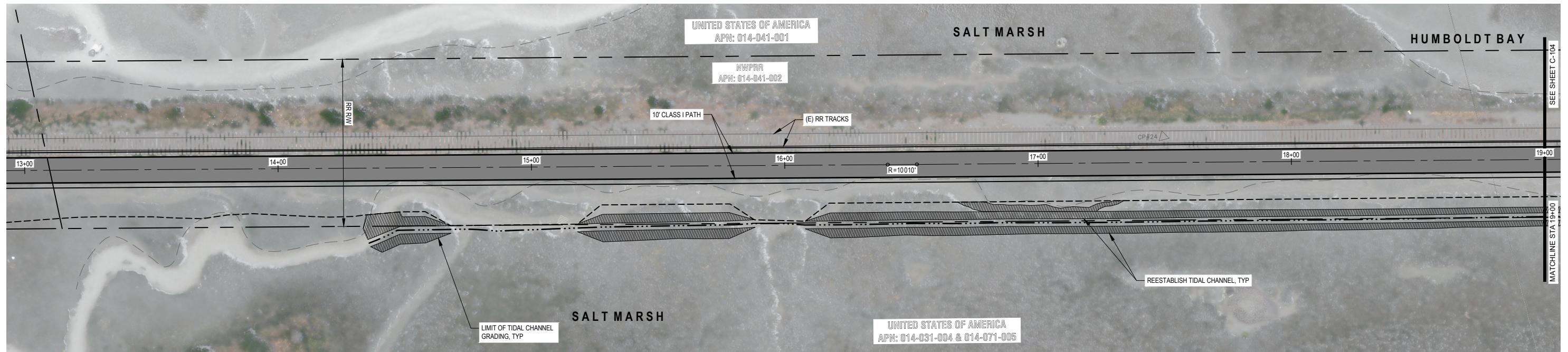


GHD Inc.  
718 Third Street  
Eureka California 95501 USA  
T 1 707 443 8326 F 1 707 444 8330 W www.ghd.com

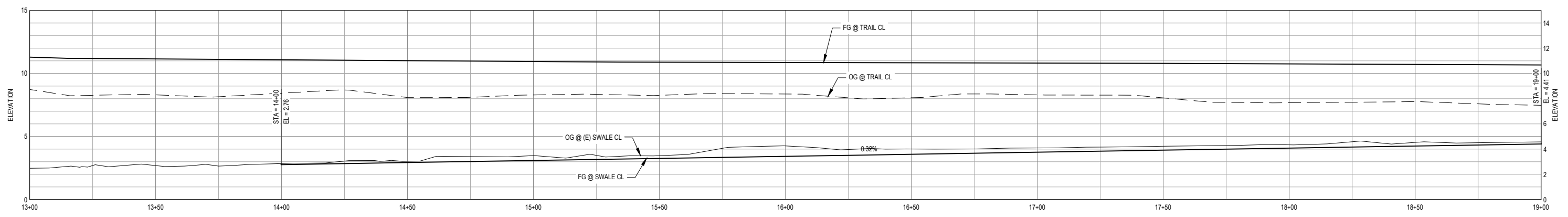
Drawn	O.GOOD	Designer	O.GOOD / J.WOLF
Drafting Check	J.WOLF	Design Check	J.WOLF
Project Manager	J.WOLF	Date	3/2/2021
This document shall not be used for construction unless signed and sealed for construction.		Scale	NOT TO SCALE

Client	COUNTY OF HUMBOLDT
Project	HUMBOLDT BAY TRAIL SOUTH
Title	EXHIBIT B TYPICAL SECTIONS
Project No.	11110166
Original Size	ANSI D
Sheet No.	

LEGEND			
	PROPERTY LINE / RIGHT OF WAY		HMA PAVING
	DRAINAGE FLOWLINE		TIDAL CHANNEL GRADING
	LIMITS OF TRAIL GRADING		



PLAN VIEW STA 13+00 TO 19+00



PROFILE VIEW STA 13+00 TO 19+00

**NOT FOR  
CONSTRUCTION**



Bar is one inch on original size sheet  
0 1"

Reuse of Documents  
This document and the ideas and designs incorporated herein, as an instrument of professional service, is the property of GHD and shall not be reused in whole or in part for any other project without GHD's written authorization.  
© 2021 GHD

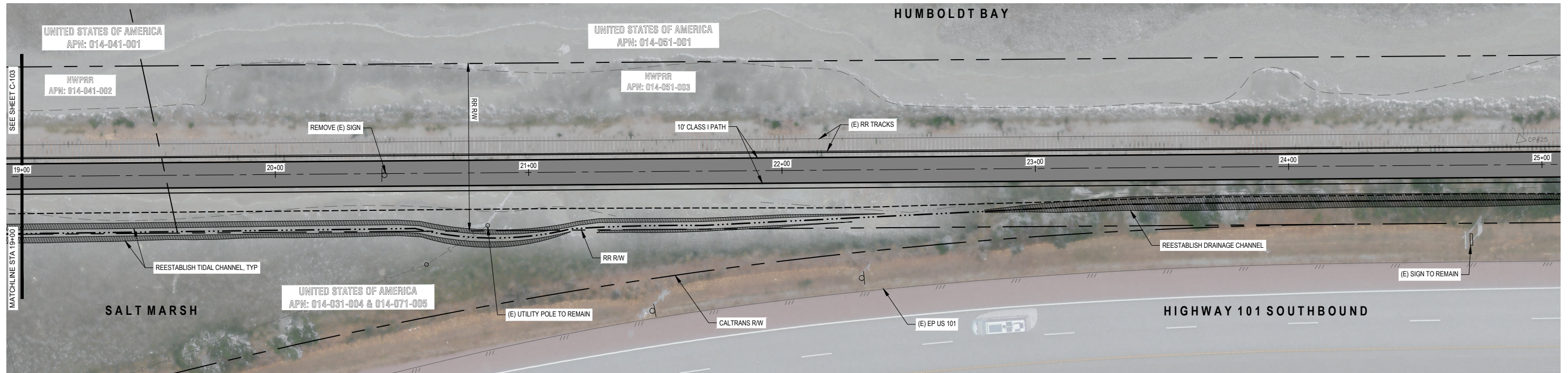


**GHD**  
GHD Inc.  
718 Third Street  
Eureka California 95501 USA  
T 1 707 443 8326 F 1 707 444 8330 W www.ghd.com

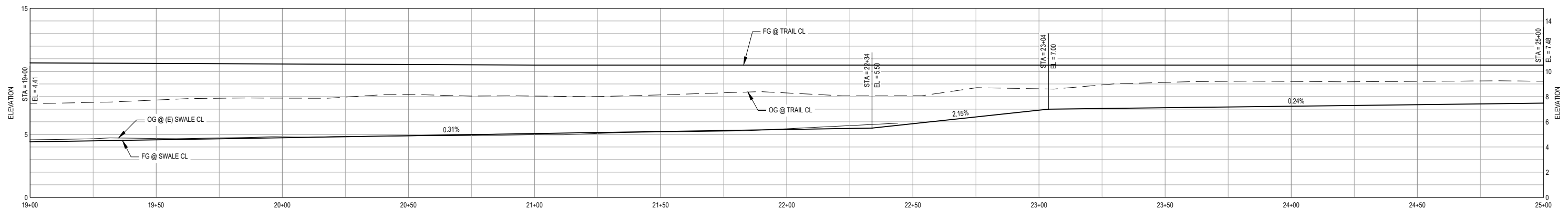
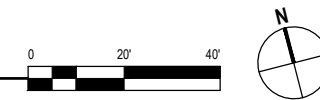
Drawn	O.GOODE	Designer	O.GOODE / J.WOLF
Drafting Check	J.WOLF	Design Check	J.WOLF
Project Manager	J.WOLF	Date	3/2/2021
This document shall not be used for construction unless signed and sealed for construction.		Scale	AS SHOWN

Client	COUNTY OF HUMBOLDT
Project	HUMBOLDT BAY TRAIL SOUTH
Title	EXHIBIT B IMPROVEMENT PLAN & PROFILE STA 13+00 TO 19+00
Project No.	11110166
Original Size	ANSI D
Sheet No.	C-103

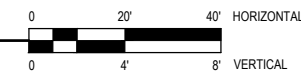
LEGEND			
	PROPERTY LINE / RIGHT OF WAY		HMA PAVING
	DRAINAGE FLOWLINE		TIDAL CHANNEL GRADING
	LIMITS OF TRAIL GRADING		



PLAN VIEW STA 19+00 TO 25+00



PROFILE VIEW STA 19+00 TO 25+00



**NOT FOR  
CONSTRUCTION**



Bar is one inch on original size sheet  
0 1"

Reuse of Documents  
This document and the ideas and designs incorporated herein, as an instrument of professional service, is the property of GHD and shall not be reused in whole or in part for any other project without GHD's written authorization.  
© 2021 GHD



GHD Inc.  
718 Third Street  
Eureka California 95501 USA  
T 1 707 443 8326 F 1 707 444 8330 W www.ghd.com

Drawn	O.GOODE	Designer	O.GOODE / J.WOLF
Drafting Check	J.WOLF	Design Check	J.WOLF
Project Manager	J.WOLF	Date	3/2/2021
This document shall not be used for construction unless signed and sealed for construction.		Scale	AS SHOWN

Client	COUNTY OF HUMBOLDT
Project	HUMBOLDT BAY TRAIL SOUTH
Title	EXHIBIT B IMPROVEMENT PLAN & PROFILE STA 19+00 TO 25+00
Project No.	11110166
Original Size	ANSI D
Sheet No.	C-104